

Technical data sheet

Pressure clip for 10 cables, connectable

Item number: 2205054



The quicker, the better – this also applies to installations in false ceilings. OBO pressure clips simplify the routing of cables under the ceiling. OBO pressure clip is the perfect installation partner for areas in which every centimetre counts. Mounting is carried out simply using an M6 knock-in anchor. The striking surface on the top guarantees high striking accuracy in the screw. After assembly, the cables are passed under the clips in a "lasso technique" hand movement – and that's all there is to it!

The pressure clip is made of high-quality polyamide.

2034 for max. 10 cables NYM 3 x 1.5 mm²

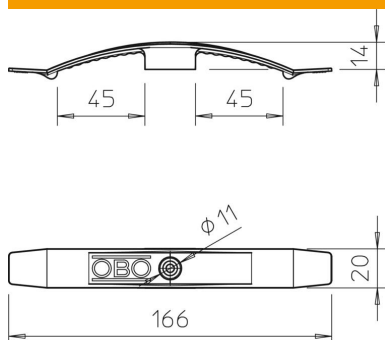


PA Polyamide

Master data

Item number	2205054
Description 1	Pressure clip
Description 2	connectable
Manufacturer	OBO
Dimension	2x5 NYM3x1,5
Colour	Light grey; RAL 7035
Material	Polyamide
Smallest sales unit	50
Unit of quantity	Piece
Weight	1.13 kg
Weight unit	kg/100 pc.

Dimensions



Technical data sheet

Pressure clip for 10 cables, connectable

Item number: 2205054



Technical data

No. of conductors NYM 3 x 1.5	10
Flame-resistant version	no
Maintain electrical functions	no
Halogen-free	yes
With anchor	no