

# Technical data sheet

## DSSL heavy-duty support

Item number: 7410581



The heavy-duty supports reinforce the corner areas of the type UZD-3 underfloor box for increased load requirements.

The VPE consists of four heavy-duty supports.



**St** Steel

**FS** Strip galvanized

### Master data

Item number	7410581
Type	DSSL2 75
Description 1	Heavy-duty support
Description 2	for underfloor socket
Manufacturer	OBO
Dimension	75/110
Material	Steel
Surface	Strip galvanized
Surface standard	DIN EN 10346
Smallest sales unit	1
Unit of quantity	Packaging unit
Weight	97.84 kg
Weight unit	kg/100 PUs

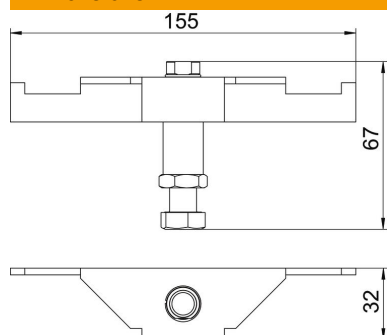
# Technical data sheet

## DSSL heavy-duty support

Item number: 7410581



### Dimensions



Length	155 mm
Width	32 mm
Height	67 mm

### Technical data

Type of accessory	Support
Screed height, max.	110 mm
Screed height, min.	75 mm
Heavy-duty version	yes