

Technical data sheet

Flat angle, for device installation trunking Rapid 45-2 type
GA-53100

Item number: 6112443



90° aluminium flat angle for direction change of Rapid 45-2 GA... device installation trunking.

Note:

For anodised device installation trunking and fittings made from aluminium, light colour differences caused by permitted scatter due to the material and process conditions cannot be avoided (according to DIN 17 611). 45 mm devices can be clicked in directly. When using PC/ABS hood fittings, there may be colour differences due to the different materials.



Alu	Aluminium
EL	Anodised

Master data

Item number	6112443
Type	GA-FS53100EL
Description 1	Flat angle
Description 2	Aluminium, rigid form
Manufacturer	OBO
Dimension	53x100x175
Material	Aluminium
Surface	Anodised
Surface standard	
Smallest sales unit	1
Unit of quantity	Piece
Weight	69.2 kg
Weight unit	kg/100 pc.

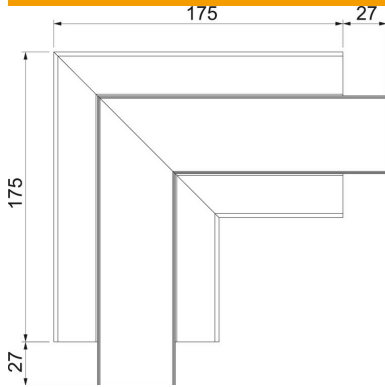
Technical data sheet

Flat angle, for device installation trunking Rapid 45-2 type
GA-53100

Item number: 6112443



Dimensions



Length	175 mm
Width	100 mm
Height	53 mm

Technical data

Number of covers	1
Version for	Base and cover
for duct width	100 mm
for trunking height	53 mm
Halogen-free	yes
Cable retaining clip	no
Duct connector	no
Cover mounting type	Internal
Mounting perforation in base	no
Cover width	45 mm
Change of direction	Vertical, rising/falling
Protection rating	IP30
Protective film	yes
Protection rating IK code	IK10
Symmetrical	yes
Permitted temperature range, max.	60 °C
Permitted temperature range, min.	-15 °C
Angle range, min.	90 mm