

# Technical data sheet

## Connection plate, L-shaped FT

Item number: 1124653



Connection plate with three holes for angled connection of profile rails 41 x 41 mm and 41 x 21 mm.



CE

St Steel

FT Hot-dip galvanised

### Master data

Item number	1124653
Type	GMS 3 VP L FT
Description 1	Connection plate
Description 2	L shape
Manufacturer	OBO
Dimension	90x90x40x5
Material	Steel
Surface	Hot-dip galvanised
Surface standard	DIN EN ISO 1461
Smallest sales unit	10
Unit of quantity	Piece
Weight	25 kg
Weight unit	kg/100 pc.

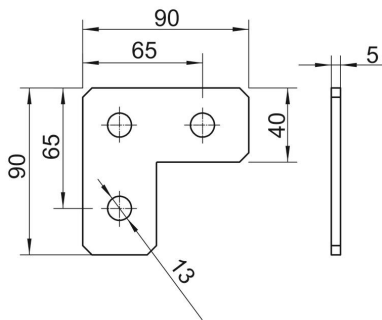
# Technical data sheet

## Connection plate, L-shaped FT

Item number: 1124653



### Dimensions



Length	90 mm
Width	40 mm
Height	5 mm

### Technical data

Version for	With continuous perforation 13 mm
Version for	Bracket
Suitable for profile shapes	C profile
Hole size	13 mm
Material thickness	5 mm
With screw accessories	no
Rustproof steel, pickled	no