

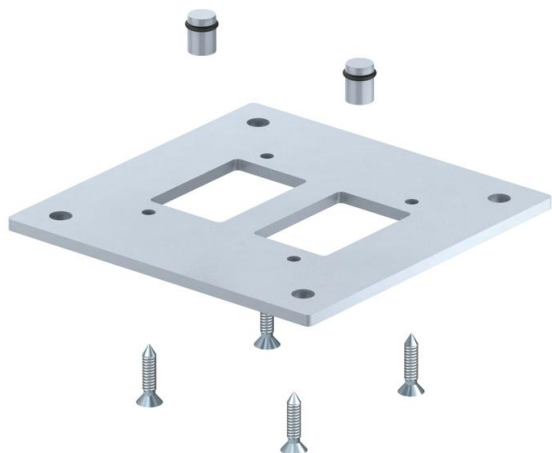
# Technical data sheet

## Floor plate for industrial pole

Item number: 6290416



Plate to fasten the ISS industrial pole to the floor. The scope of delivery comprises of four fastening screws to mount the floor plate onto the pole profile and two sealing plugs to make the compressed air channels airtight.



**St** Steel

**FSK** Strip galvanized / plastic coated

### Master data

Item number	6290416
Type	ISS160160BP
Description 1	Floor plate
Description 2	for install. column, industry
Manufacturer	OBO
Dimension	250x250x8mm
Colour	White aluminium; RAL 9006
Material	Steel
Surface	Strip galvanized / plastic coated
Surface standard	DIN EN 10346
Smallest sales unit	1
Unit of quantity	Piece
Weight	382 kg
Weight unit	kg/100 pc.

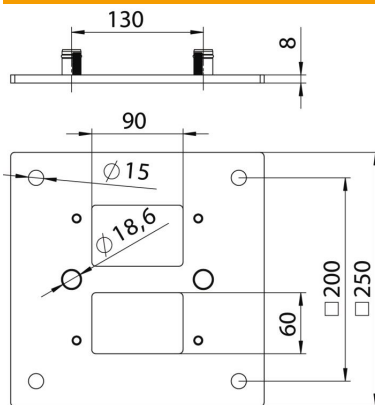
# Technical data sheet

## Floor plate for industrial pole

Item number: 6290416



### Dimensions



Length	250 mm
Width	250 mm
Height	8 mm

### Technical data

xxxxx.	no
Halogen-free	yes
Protection rating	IP30
Protection rating IK code	IK10
Permitted temperature range, max.	60 °C
Permitted temperature range, min.	-25 °C