

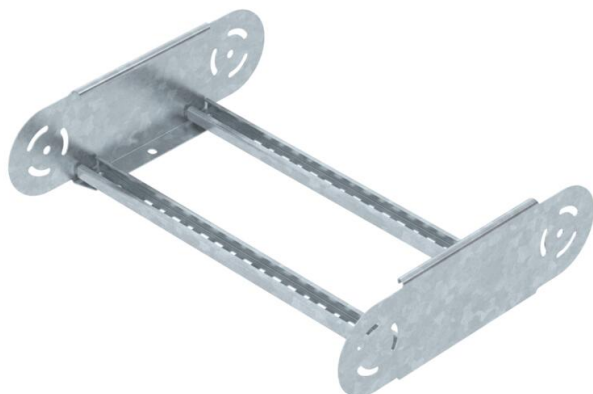
Technical data sheet

Adjustable bend element 110 FT

Item number: 6225516



Adjustable bend element with welded rung for use in the cable ladder types with a side height of 110 mm.



St Steel

FT Hot-dip galvanised

Master data

| | |
|---------------------|-------------------------|
| Item number | 6225516 |
| Description 1 | Adjustable bend element |
| Description 2 | for cable ladder |
| Manufacturer | OBO |
| Dimension | 110x450 |
| Material | Steel |
| Surface | Hot-dip galvanised |
| Surface standard | DIN EN ISO 1461 |
| Smallest sales unit | 1 |
| Unit of quantity | Piece |
| Weight | 173.1 kg |
| Weight unit | kg/100 pc. |

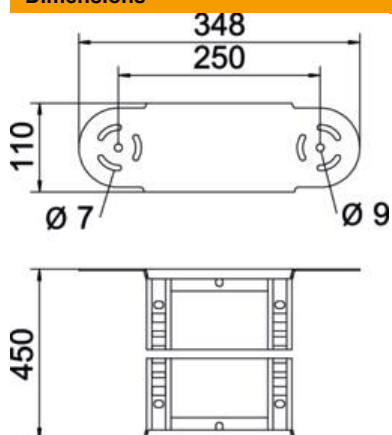
Technical data sheet

Adjustable bend element 110 FT

Item number: 6225516



Dimensions



| | |
|-------------|--------|
| Width | 450 mm |
| Height | 110 mm |
| Dimension B | 450 mm |
| Dimension R | 450 mm |

Technical data

| | |
|-------------------------------|--------------------------|
| Bend (angle) | Adjustable |
| Version of the rungs | Profile perforated |
| Side rail version | Flat profile |
| Connector version | Integrated connector |
| Maintain electrical functions | no |
| Change of direction | Vertical, rising/falling |
| Rustproof steel, pickled | no |
| Hinged | yes |
| Side perforation | no |
| Wide-span version | no |
| Rail thickness | 1.5 mm |