

Technical data sheet

90° bend

Item number: 6074901



90° bend, horizontal, for AZ small duct AZK 050 and luminaire support channel LTS 50.



CE

St Steel

DD Strip galvanised zinc/aluminium, Double Dip

Master data

Item number	6074901
Type	LTS B DD
Description 1	90° bend
Description 2	for luminaire support rail
Manufacturer	OBO
Dimension	50x50
Material	Steel
Surface	Strip galvanised zinc/aluminium, Double Dip
Surface standard	DIN EN 10346
Smallest sales unit	1
Unit of quantity	Piece
Weight	36.6 kg
Weight unit	kg/100 pc.

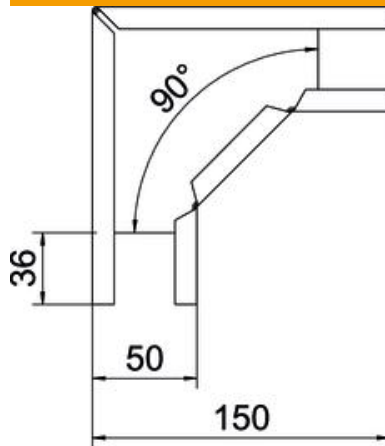
Technical data sheet

90° bend

Item number: 6074901



Dimensions



Width	50 mm
Height	50 mm
Plate thickness	1 mm

Technical data

Bend (angle)	90°
Mounting perforation in base	no
NATO hole pattern	no
Change of direction	Horizontal
Rustproof steel, pickled	no
Side perforation	no
Wide-span version	no