

# Technical data sheet

## Straight and angle connector A2



Item number: 6216590

Angle connector as external connector to join cable ladders and fittings with a side height of 110 mm and continuous rail perforation. The bolt fastening ensures the continuity of the equipotential bonding.

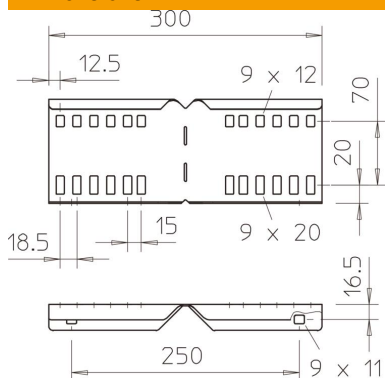


<b>A2</b>	Stainless steel
<b>2B</b>	Bright, treated

### Master data

Item number	6216590
Type	LWVG 110 A2
Description 1	Angle connector
Description 2	for cable ladder
Manufacturer	OBO
Dimension	114x300
Material	Stainless steel
Surface	Bright, treated
Surface standard	
Smallest sales unit	10
Unit of quantity	Piece
Weight	48.8 kg
Weight unit	kg/100 pc.

### Dimensions



Dimension	114x300
Length	300 mm
Width	28 mm
Height	110 mm
Plate thickness	1.5 mm

### Technical data

Version for	Angle connector
Suitable for mesh cable tray	no
Suitable for cable ladder	yes
Suitable for cable tray	no
Suitable for cable tray system height	110 mm
Adjustable connector, horizontal	no
Articulated connector, vertical	no
Rustproof steel, pickled	no
Connection type	Screw connector